

<b>Fitness Legacy Zone</b>	
<b>Push Up Bar</b>	
PROD. CODE	6210-090
SIZE	2345x475x45mm
AGE RANGE	14 to Adult
F/ FALL HEIGHT	<600mm
HEAVIEST PART	Approx 15Kg
TOTAL WEIGHT	Approx 29Kg
	

**SPECIFICATION**

Steel bar to EN 10025  
 Steel CHS to BS EN 10219  
 Welding to EN ISO 14341:2011  
 Polyester powder paint to EN 13438:2005

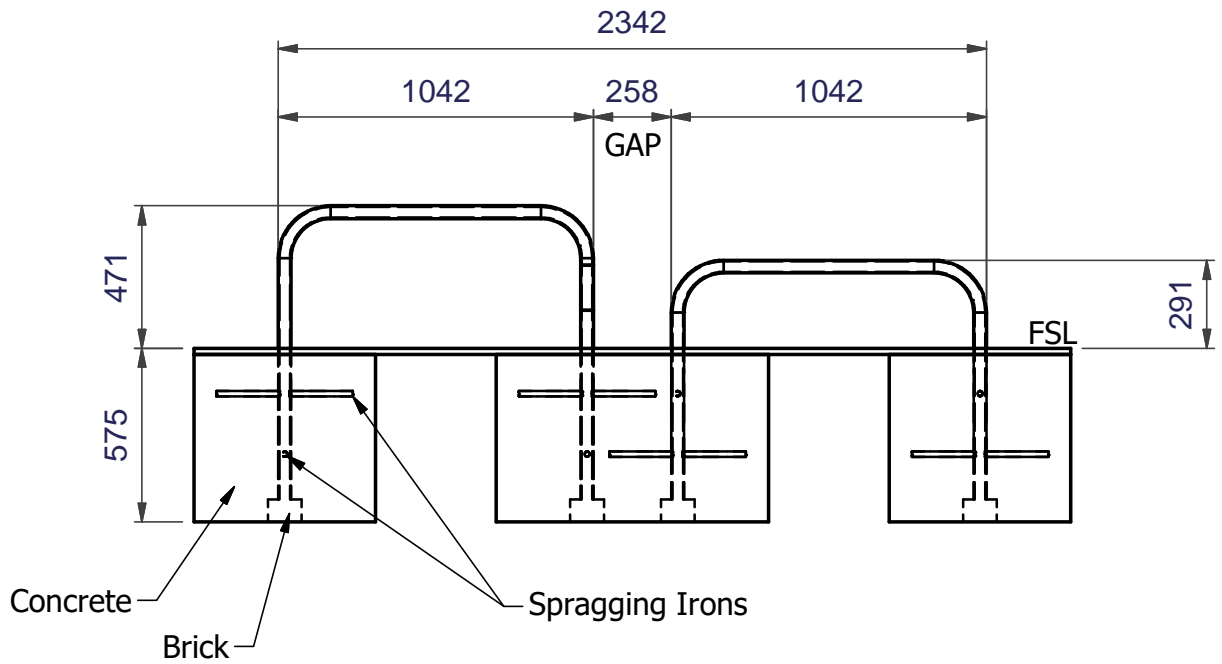
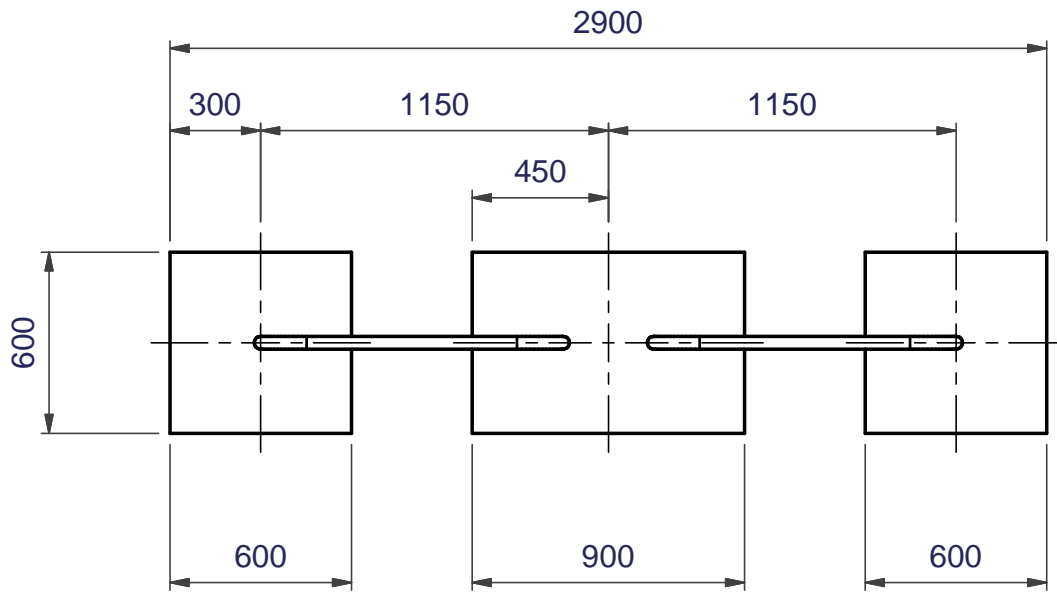
**INSTALLATION INSTRUCTIONS**

- 1 Read installation instructions thoroughly before commencing installation of unit.
- 2 Excavate two holes to 600 x 600 x 575 deep and one hole 900 x 600 x 575 deep - see page 2.
- 3 Position the unit centrally in the excavated holes ensuring the unit is perpendicular to the finished surface level, at the correct height and orientation. Backfill the holes with concrete (0.70 cu Metres) 4 parts gravel, 2 parts sand & 1 part cement.
- 4 Allow the concrete to set for 48 hours.

Note

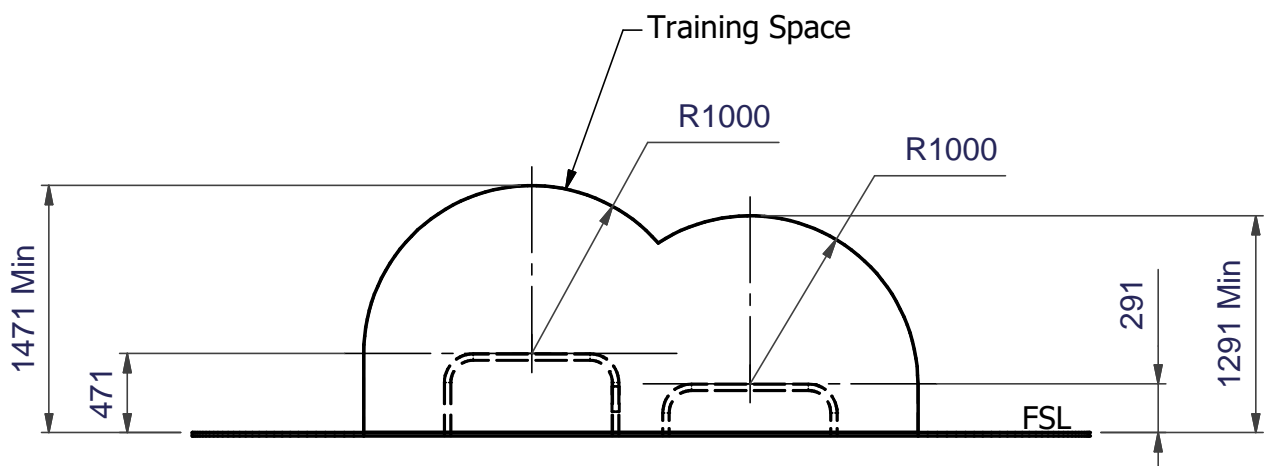
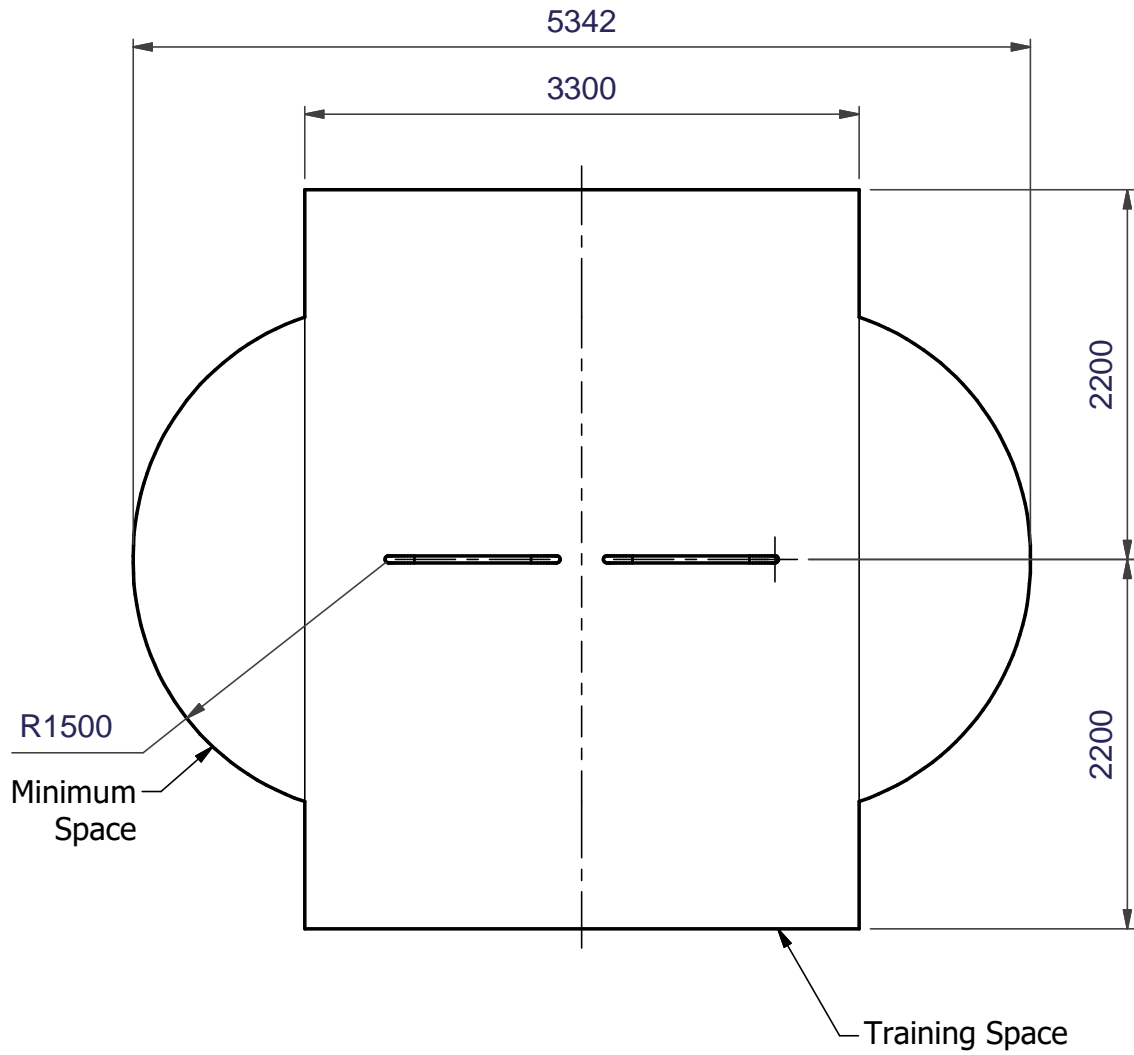
Note      Ensure all installation aids are removed before first use.

**Foundation Detail**  
(Care must be taken in abnormal conditions)



FSL = Finished Surface Level

# Minimum and Training Spaces

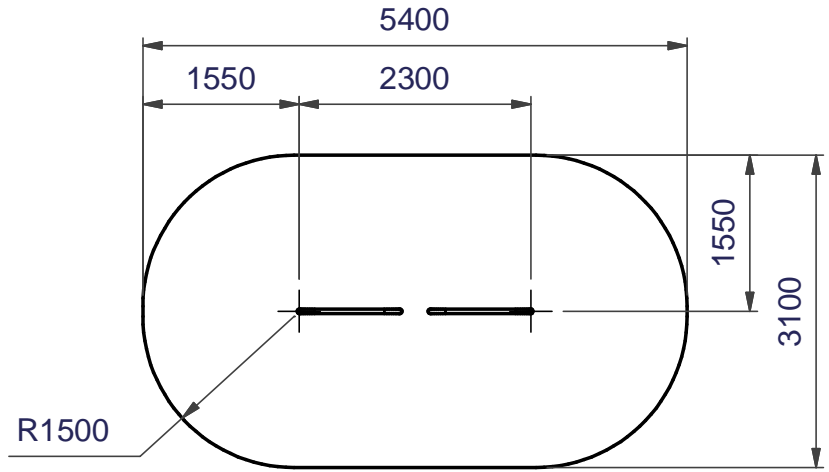


FSL = Finished Surface Level

## Safety Surfacing

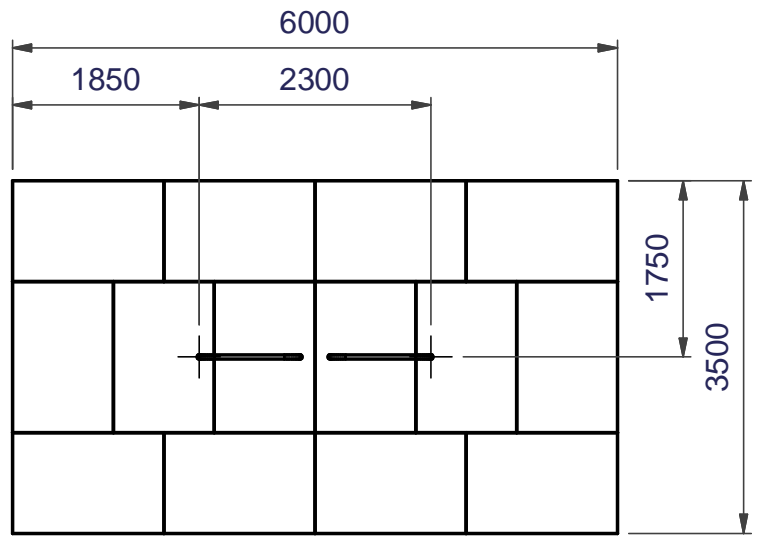
### Wetpour

15.0 Sq. Metres 20mm Wetpour  
14.5 Linear Metres Wetpour Edging



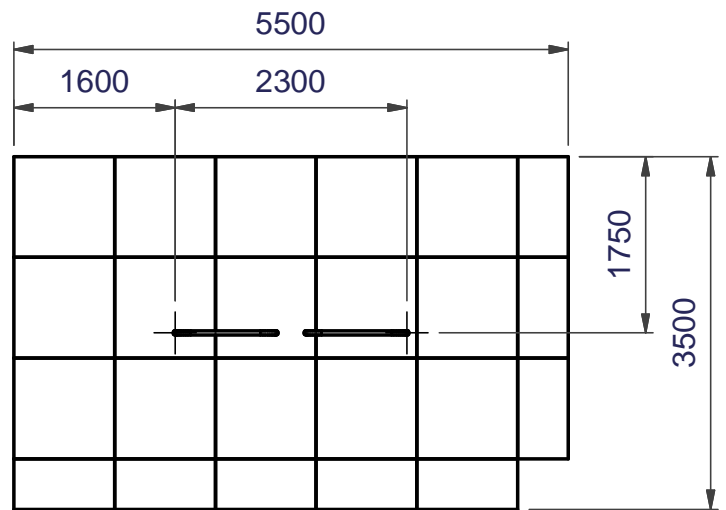
### Grass Mats (1500 x 1000mm)

14 off Total

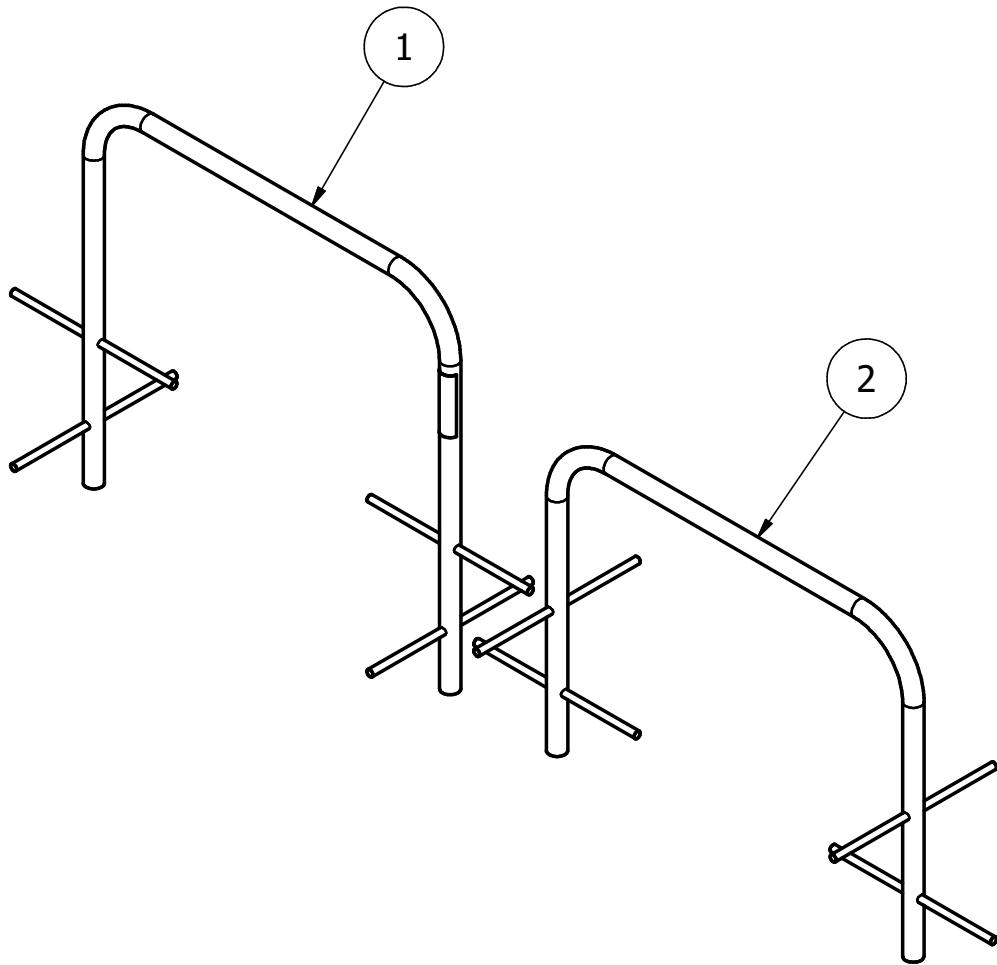


### Safety Tiles (1000 x 1000mm)

19.0 Sq. Metres  
40mm Thickness  
18.0 Linear Metres of Tile Edging



Assembly View



Parts List			
ITEM	QTY	PART NUMBER	DESCRIPTION
1	1	4202-723	High Push Up Bar - W.A.
2	1	4202-724	Low Push Up Bar - W.A.

COMPILED MC	REV	0							
	ECN	1752							
DATE: 08/12/16	SIG.	MC							
	DATE:	08/12/16							

# DESPATCH LIST

Sheet 1 of 1

Product: 6210-090 Push up Bar - Fitness Legacy Zone

Date of Issue: 14/12/16

Order No:

Issue: A

Item	Unit Qty	Description	Part No.	Checked
1	1	High Push up Bar W.A.	4202-723	
2	1	Low Push up Bar W.A.	4202-724	
3				
4				
5		<b>Pre-assembled Labels</b>		
6	1	Fitness Instruction Label (Push-ups) *	2910-047	
7				
8				
9				
10				
11				
12				
13				
14				
15				
16				
17				
18				
19				
20				
21				
22				
23				
24		<b>Items marked * to be fitted before despatch</b>		
25				

Total No. of Items

Picked By:

Checked By:

COMPILED BY: MC	REV	0					
	ECN No.	1752					
DATE: 14/12/16	DATE	14/12/16					
	SIGN	MC					