


<h1>Rockerplay</h1>	
<h2>Cobra</h2> <p>with Suspension Unit</p>	
PROD. CODE	6060-112
SIZE	1960x1225x715
AGE RANGE	6 - 12 Years
F/ FALL HEIGHT	1000mm
HEAVIEST PART	Approx 83Kg
TOTAL WEIGHT	Approx 114Kg
	

SPECIFICATION

Steel plate to BS EN 10025
 Steel CHS to BS EN 10255
 Steel Bar to BS EN 10025
 Welding to EN ISO 14341:2011
 Polyester powder paint to EN 13438:2005

Standard fixings to BS 3692:2001 and
 BS 4190:2001
 Non-standard fixings are anti-vandal and
 corrosion resistant

INSTALLATION INSTRUCTIONS

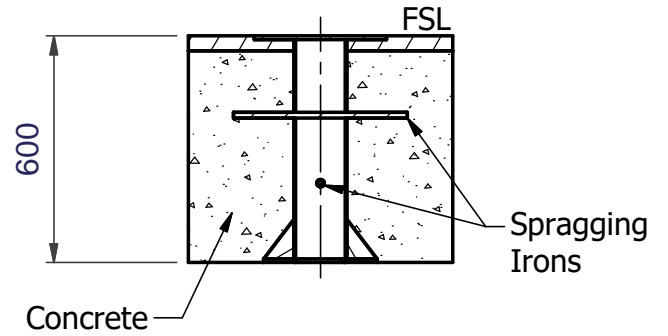
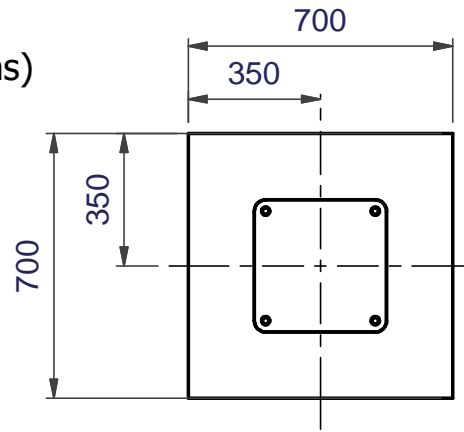
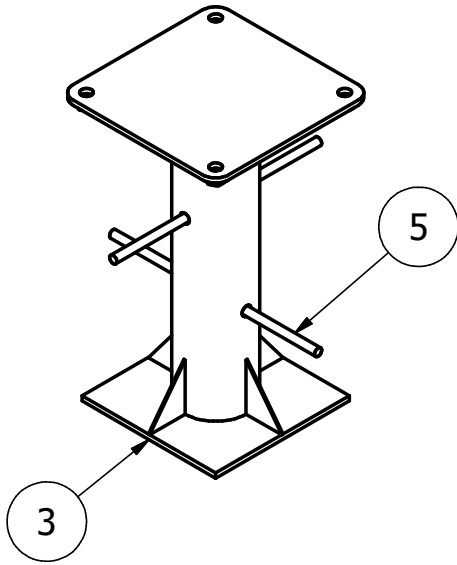
1. Read instructions thoroughly before commencing installation of unit.
2. Excavate foundations as shown on the foundation plan (see page 2).
3. Position and assemble the below ground fixing with spragging irons (see page 2) centrally in the excavated hole ensuring that it is at the correct height and the top plate is flush with the finished surface level.
4. Backfill with 0.28 m³ concrete (4 parts gravel, 2 parts sand & 1 part cement).
5. Allow concrete to set for a period of 48 hours.
6. Fit the Main Body Assembly to the below ground fixing as shown on page 5.
7. Ensure that all fastenings are fully tightened.

Note

Note Ensure all installation aids are removed before first use.

Foundation Detail

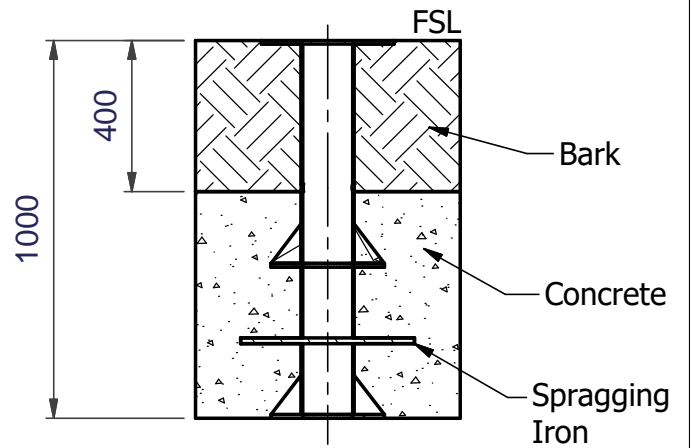
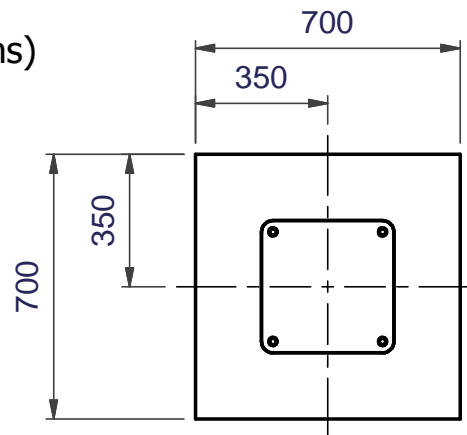
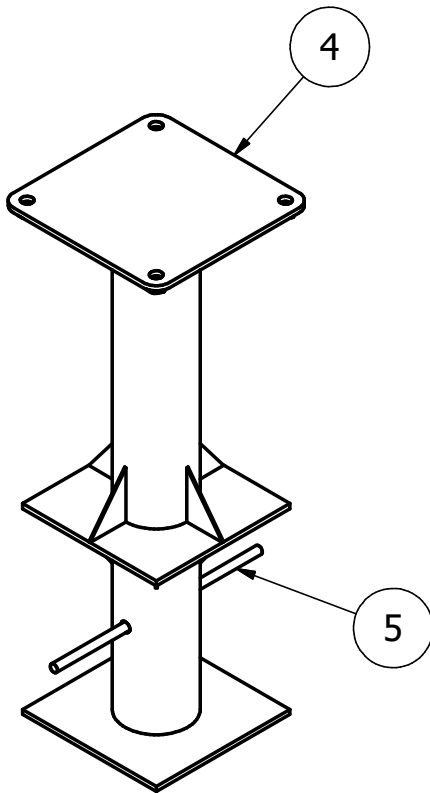
(Care must be taken in abnormal conditions)



Foundation Detail

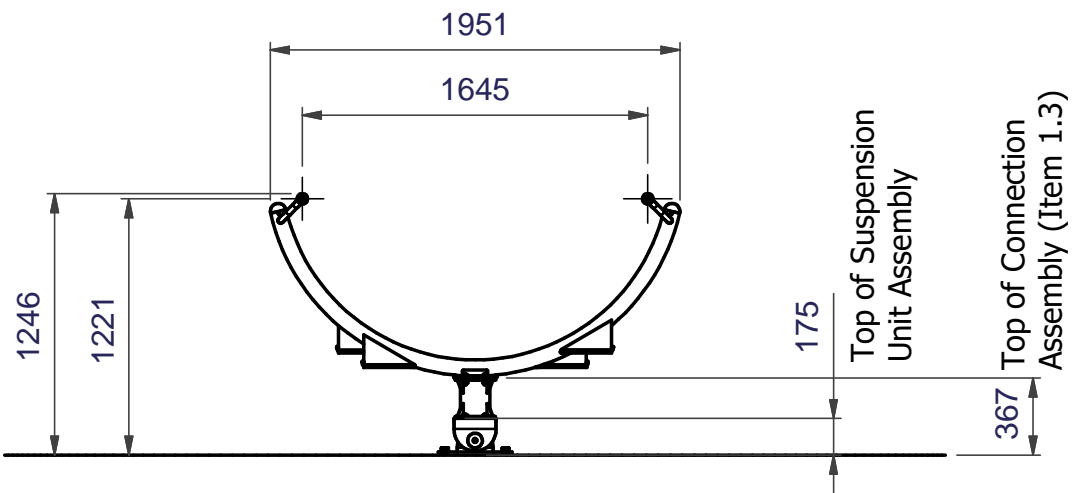
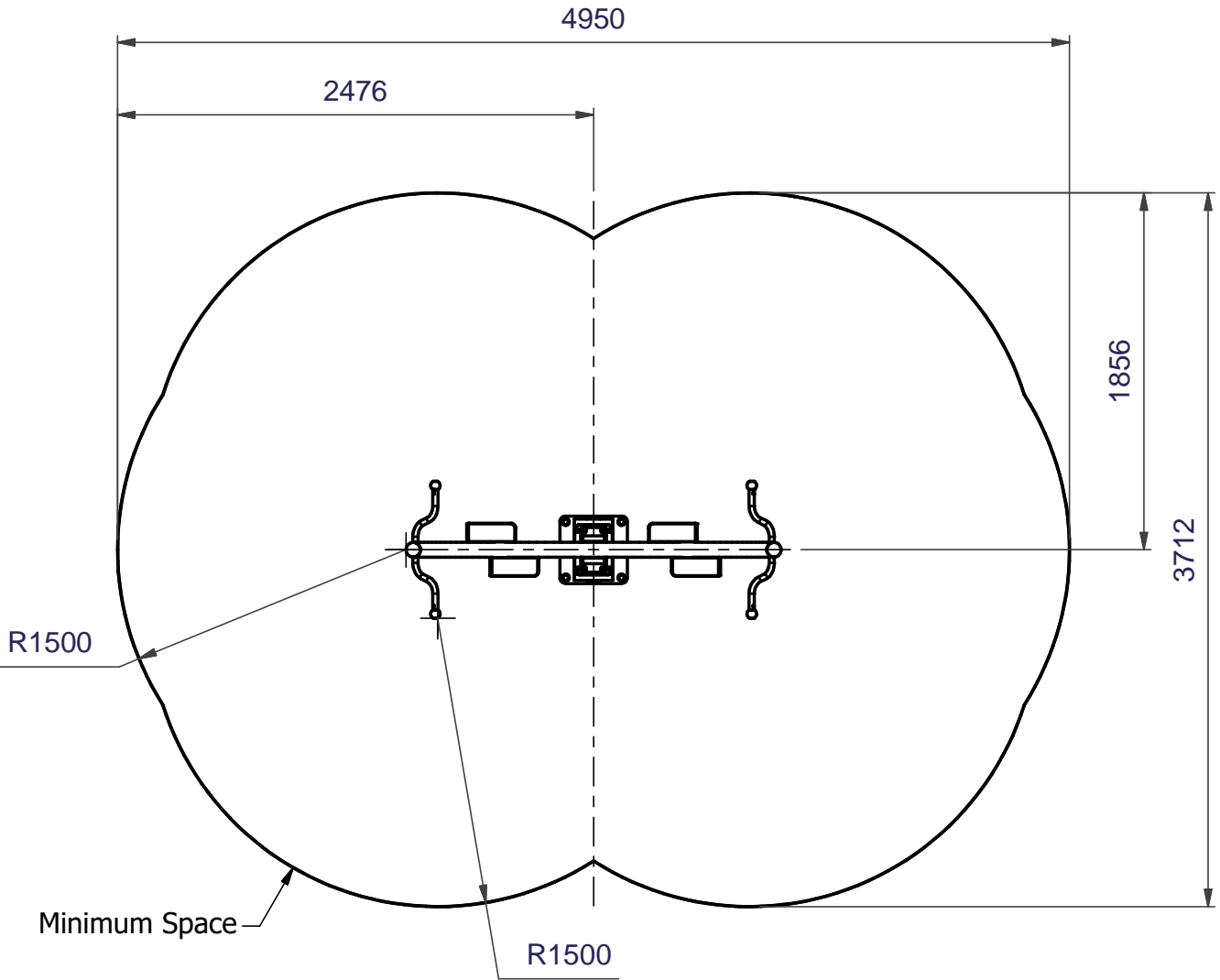
(Care must be taken in abnormal conditions)

Bark Fix



FSL = Finished Surface Level

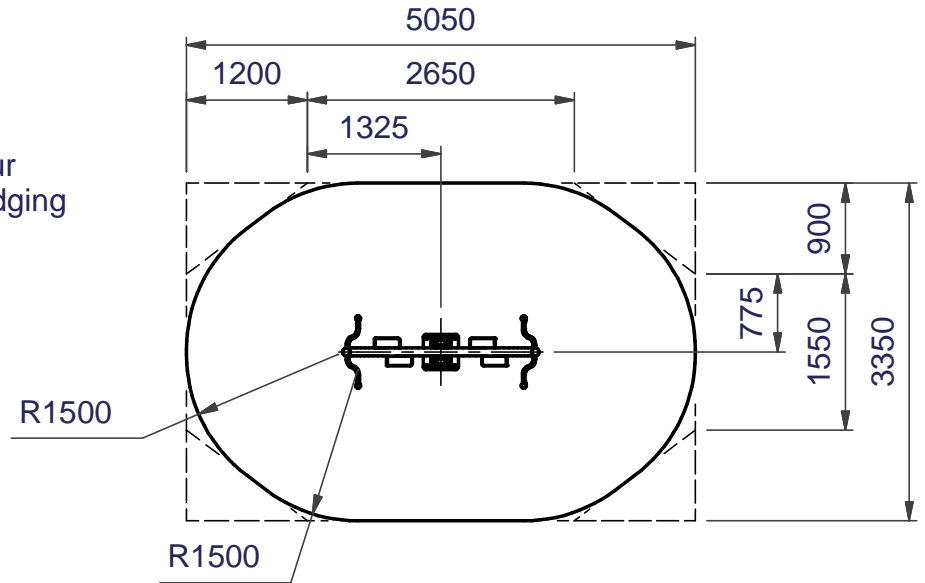
Minimum Space



Safety Surfacing

Wetpour

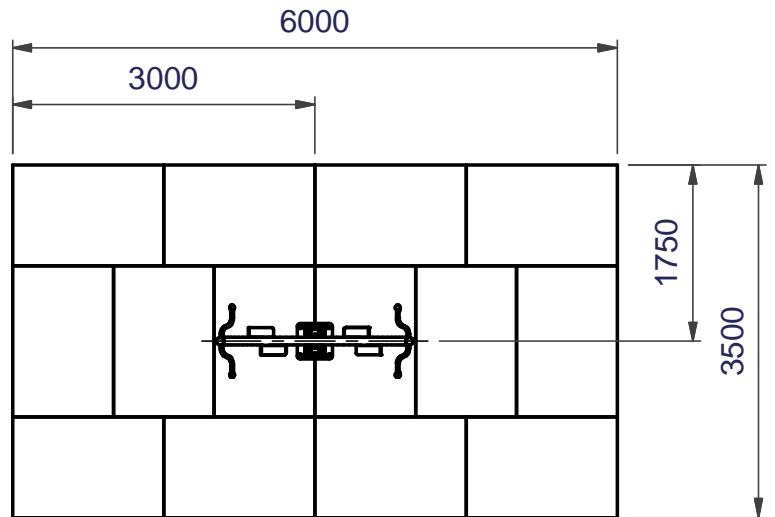
14.5 Sq. Metres 40mm Wetpour
14.0 Linear Metres Wetpour Edging



Grass Mats

(1500 x 1000mm)

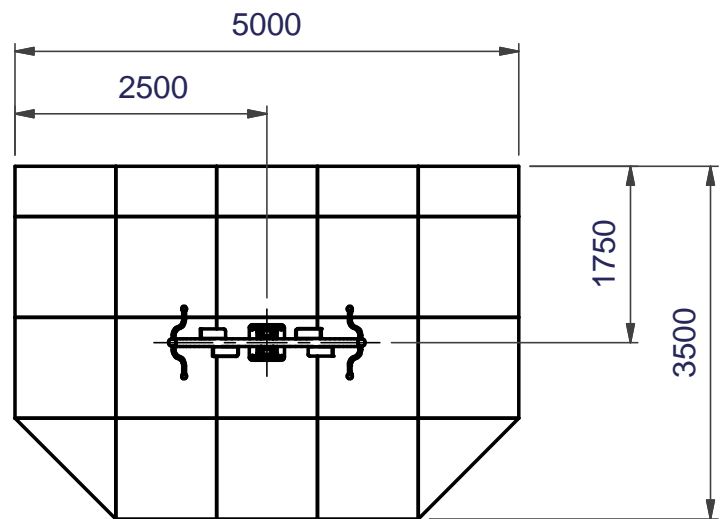
14 off Total



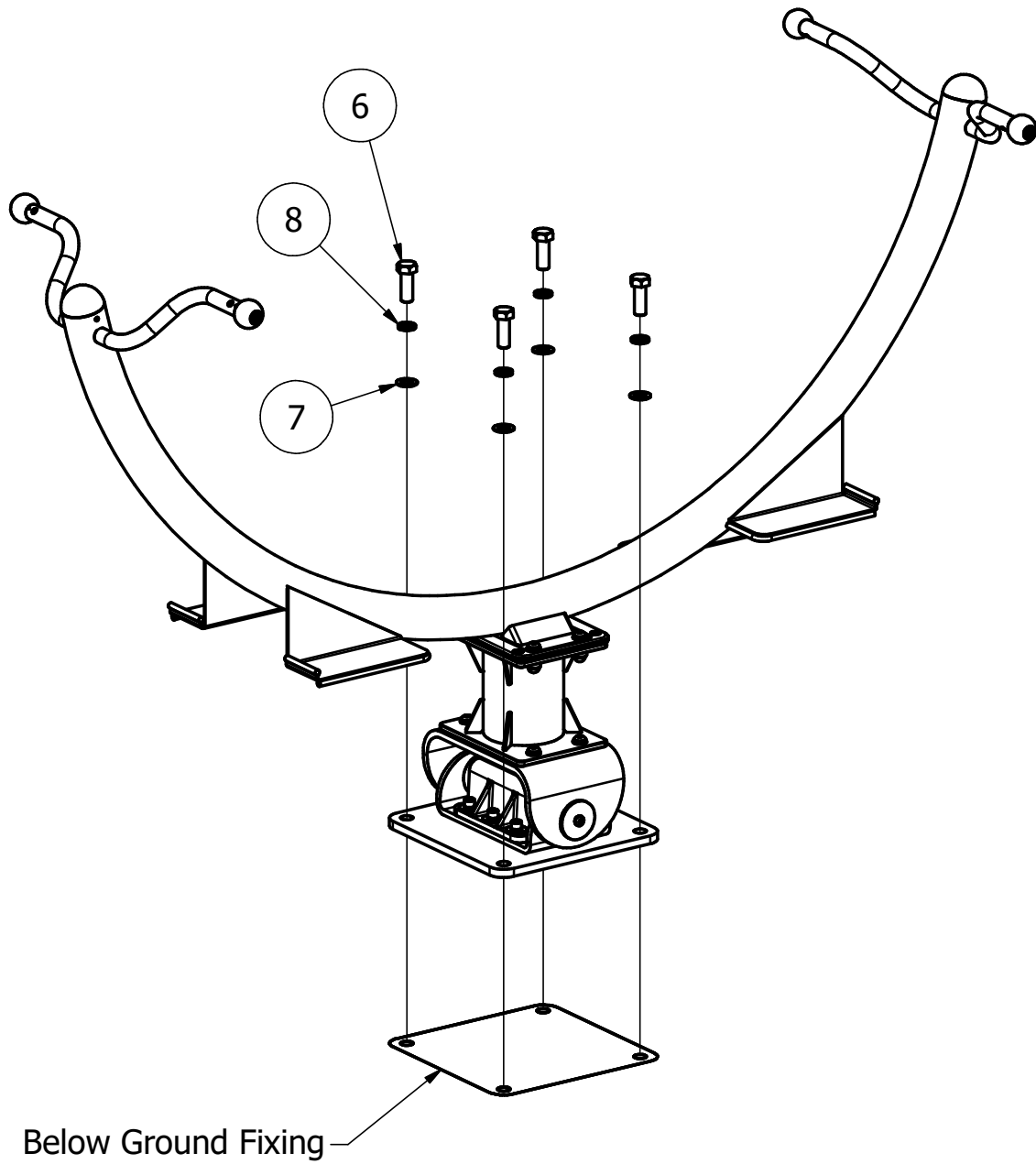
Safety Tiles

(1000 x 1000mm)

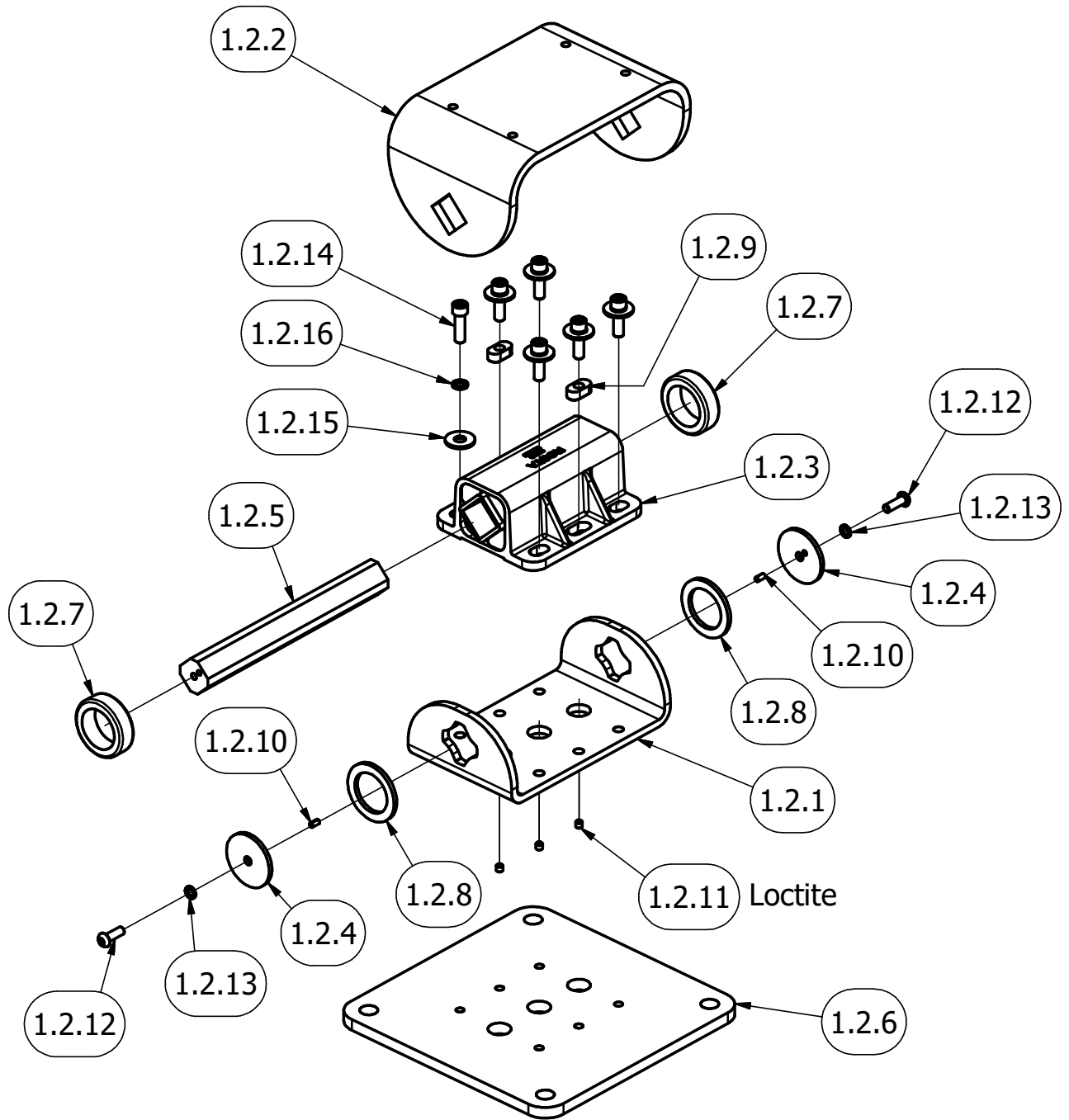
16.5 Sq. Metres
40mm Thickness
16.0 Linear Metres of Tile Edging



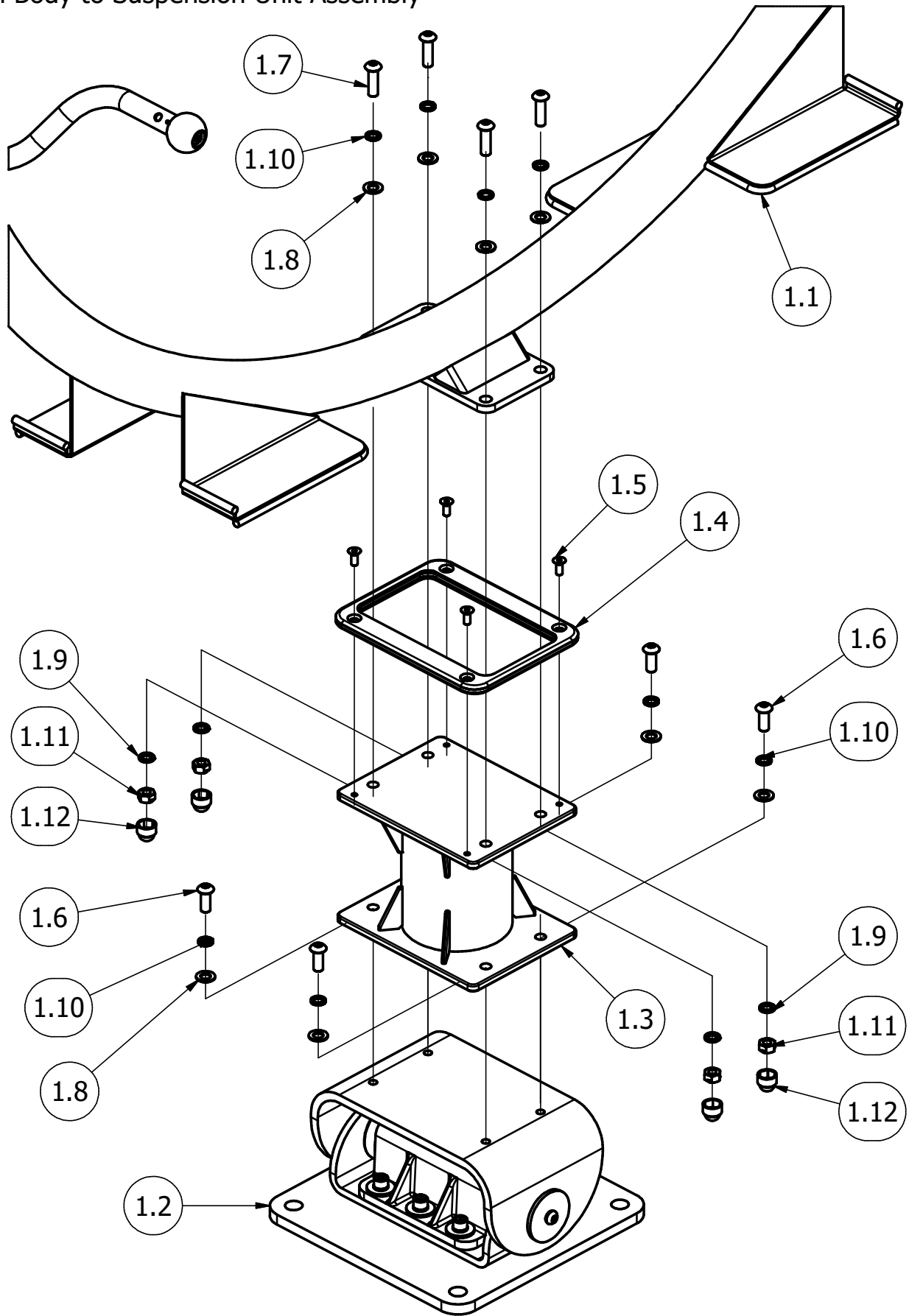
Fixing Details for Maintenance
Cobra Assembly to Below Ground Fixing



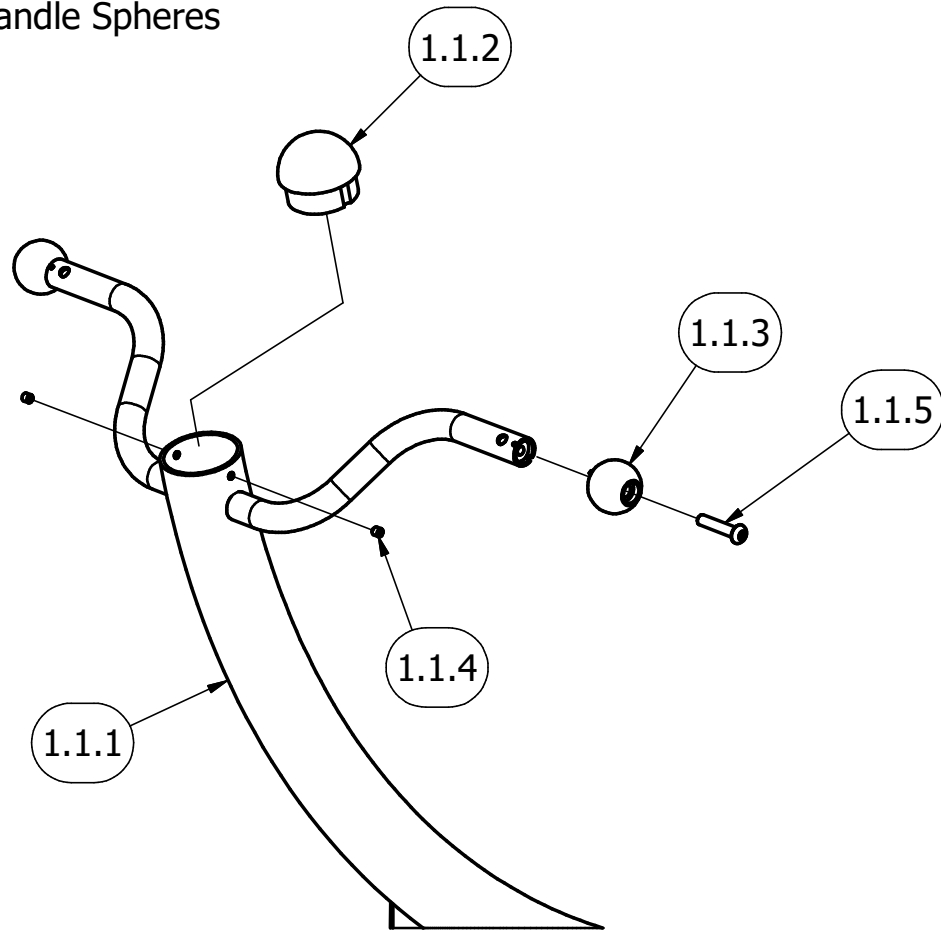
Fixing Details for Maintenance
Suspension Unit Assembly



Fixing Details for Maintenance
Main Body to Suspension Unit Assembly



Fixing Details for Maintenance
End Cap and Handle Spheres



Parts List			
ITEM	QTY	PART NUMBER	DESCRIPTION
1	1	5112-123	Cobra Assembly
1.1	1	4202-578	Cobra Main Body Assembly
1.1.1	1	5112-107	Cobra Main Body W.A.
1.1.2	2	3711-002	Aluminium End Cap
1.1.3	4	3711-017	Aluminium Sphere
1.1.4	4	2171-111	M8 x 8 LG CUP POINT GRUB SCREW
1.1.5	4	2176-129	M10 x 50 Pent Button Head
1.2	1	5114-110	Suspension Unit Assembly
1.2.1	1	3201-343	Suspension Unit Plate
1.2.2	1	3201-344	U - Plate
1.2.3	1	2911-006	Rubber Suspension Unit - Machined
1.2.4	2	3292-214	End Cap

Continued on page 9

Parts List			
ITEM	QTY	PART NUMBER	DESCRIPTION
1.2.5	1	3069-042	Torsion Bar
1.2.6	1	3293-126	Plate
1.2.7	2	2570-004	Spacer
1.2.8	2	2570-005	Spacer
1.2.9	2	3756-178	Fixing Locator
1.2.10	2	2223-021	DIA 6 x 12 LG SELLOK PIN
1.2.11	3	2171-111	M8 x 8 LG CUP POINT GRUB SCREW
1.2.12	2	2176-132	M10 x 30 Pent Button Head
1.2.13	2	2212-203	M10 Spring Washer
1.2.14	6	2171-228	M12 x 40 SKT HD CAP SCREW c/w PIN
1.2.15	6	2215-515	M12 EXTRA LARGE PLAIN WASHER
1.2.16	6	2212-002	M12 Spring Washer
1.3	1	4202-814	Connection Assembly for Cobra
1.4	1	3756-204	Spacer Panel
1.5	4	2171-188	M8 x 20 C'SK SKT HD SCREW c/w PIN
1.6	4	2176-177	M12 x 30 Pent Button Head
1.7	4	2176-178	M12 x 40 Pent Button Head
1.8	8	2215-509	M12 Plain Washer
1.9	4	2212-213	M12 NORD LOCK WASHER
1.10	8	2212-002	M12 Spring Washer
1.11	4	2191-011	M12 Binx Nut
1.12	4	2613-016	M12 Nut Cap
3	1	5071-056	BGF for Spring Mechanism
4	1	5071-057	BGF for Spring Mechanism - Bark
5	3	3030-310	460mm Spragging Iron
6	4	2175-181	M20 x 55 HT HEX HD SCREW
7	4	2215-512	M20 WASHER 2mm THK
8	4	2212-206	20mm SPRING WASHER

COMPILED MC	REV	0	1						
	ECN	1770	Minor						
DATE: 28/09/17	SIG.	MC	MC						
	DATE:	28/09/17	06/10/17						

DESPATCH LIST

Product: 6060-112 Cobra (with Suspension Unit) Date of Issue: 28/09/17

Order No: Issue: A

Item	Unit Qty	Description	Part No.	Checked
1	1	Cobra Assembly	5112-123	
2	1	BGF upright	5071-056	
3	1	Fixing pack		
4				
5				
6				
7		Pre-assembled Panels		
8	1	Spacer Panel *	3756-204	
9				
10				
11				
12				
13				
14				
15				
16				
17				
18				
19				
20				
21				
22				
23				
24		Items marked * to be fitted before despatch		
25				

Total No. of Items

Picked By: Checked By:

COMPILED BY: MC	REV	0				
	ECN No.	1770				
DATE: 28/09/17	DATE	28/09/17				
	SIGN	MC				

FIXINGS LIST

Product: 6060-112 Cobra (with Suspension Unit) Date of Issue: 28/09/17

Order No: Issue: A

Item	Unit Qty	Description	Part No.	Checked
1	2	460mm Spragging Iron	3030-310	
2	4	M20 x 55 HT Hex Head Bolt	2175-181	
3	4	M20 Washer	2215-512	
4	4	M20 Spring Washer	2212-206	
5				
6				
7				
8				
9				
10				
11				
12				
13				
14				
15				
16				
17				
18				
19				
20				
21				
22				
23				
24				
25				

Total No. of Items

Picked By: Checked By:

COMPILED BY:	MC	REV	0				
		ECN No.	1770				
		DATE	28/09/17				
DATE:	28/09/17	SIGN	MC				

DESPATCH LIST

Product: 6060-912 Cobra (with Suspension Unit) - BARK Date of Issue: 28/09/17

Order No: Issue: A

Item	Unit Qty	Description	Part No.	Checked
1	1	Cobra Assembly	5112-123	
2	1	BGF upright - Bark	5071-057	
3	1	Fixing pack		
4				
5				
6				
7		Pre-assembled Panels		
8	1	Spacer Panel *	3756-204	
9				
10				
11				
12				
13				
14				
15				
16				
17				
18				
19				
20				
21				
22				
23				
24		Items marked * to be fitted before despatch		
25				

Total No. of Items

Picked By: Checked By:

COMPILED BY: MC	REV	0				
	ECN No.	1770				
DATE: 28/09/17	DATE	28/09/17				
	SIGN	MC				

FIXINGS LIST

Product: 6060-912 Cobra (with Suspension Unit) - BARK Date of Issue: 28/09/17

Order No: Issue: A

Item	Unit Qty	Description	Part No.	Checked
1	1	460mm Spragging Iron	3030-310	
2	4	M20 x 55 HT Hex Head Bolt	2175-181	
3	4	M20 Washer	2215-512	
4	4	M20 Spring Washer	2212-206	
5				
6				
7				
8				
9				
10				
11				
12				
13				
14				
15				
16				
17				
18				
19				
20				
21				
22				
23				
24				
25				

Total No. of Items

Picked By: _____ Checked By: _____

COMPILED BY:	MC	REV	0				
		ECN No.	1770				
		DATE	28/09/17				
DATE:	28/09/17	SIGN	MC				