

SPRING MOBILES

Scramble Bike

PROD. CODE	6060-054
SIZE	850x320x775
AGE RANGE	2-5 Years
F/ FALL HEIGHT	<600mm
HEAVIEST PART	15 kg
TOTAL WEIGHT	40 kg



SPECIFICATION

Panels: 19mm Thick HD Polyethylene, 100% Recycleable, Non-Toxic & complies with EN71 Standards.

Seat: 19mm Thick HD Polyethylene, with Non-Slip textured rubber coating.

Steel Components: made from steel to BS 9070 Part 1 (1983).

Metal Parts: Coated with low lead polyester paint to BS EN71 part 3 (1995).

Fixings: Non standard to deter vandals & plated for corrosion resistance.

INSTALLATION INSTRUCTIONS

- 1: Read instructions thoroughly before commencing installation of unit.
- 2: Excavate foundations as shown on the foundation plan.
- 3: Position the Below Ground Fixing into the prepared hole.
- 4: Ensure that the Below Ground Fixing is plumb, square and at the correct height and orientation.
- 5: Backfill with 0.3 cubic m concrete. (4 parts gravel, 2 parts sand & 1 part cement)
- 6: Allow concrete to set for 48 hrs.
- 7: Once foundations have set attach the Spring to the Below Ground Fixing.
- 8: Attach the Mobile Body Fixing Bracket to the Spring.
- 9: Attach the Mobile Body Assembly & Seat.
- 10: Ensure that all fastenings are fully tightened.

Note

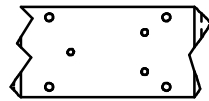
Check Orientation Before Setting Below Ground Fixing In Concrete

Note

ENSURE ALL INSTALLATION AIDS ARE REMOVED BEFORE FIRST USE

FOUNDATION DETAILS

Care Must Be Taken In Abnormal Conditions
BE SURE TO FIT BELOW GROUND FIXING IN CORRECT ORIENTATION



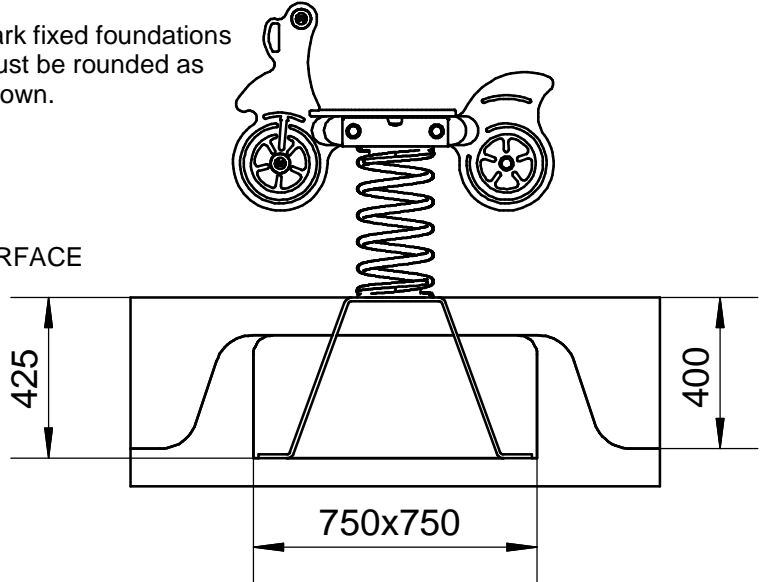
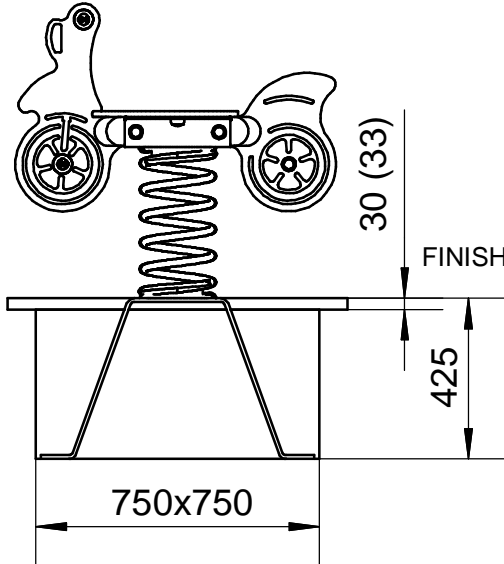
(HOLE PATTERN IN TOP OF
BELOW GROUND FIXING)

Ground Fixed

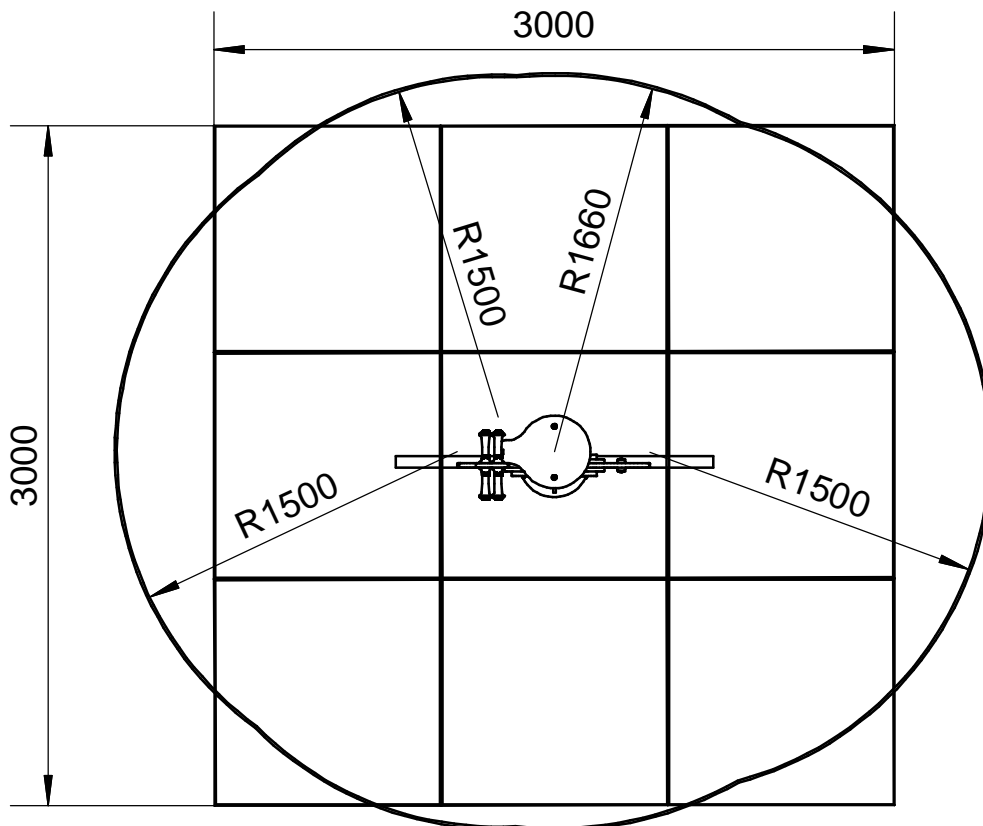
Bark Fixed

← DIRECTION MOBILE WILL POINT

Bark fixed foundations
must be rounded as
shown.



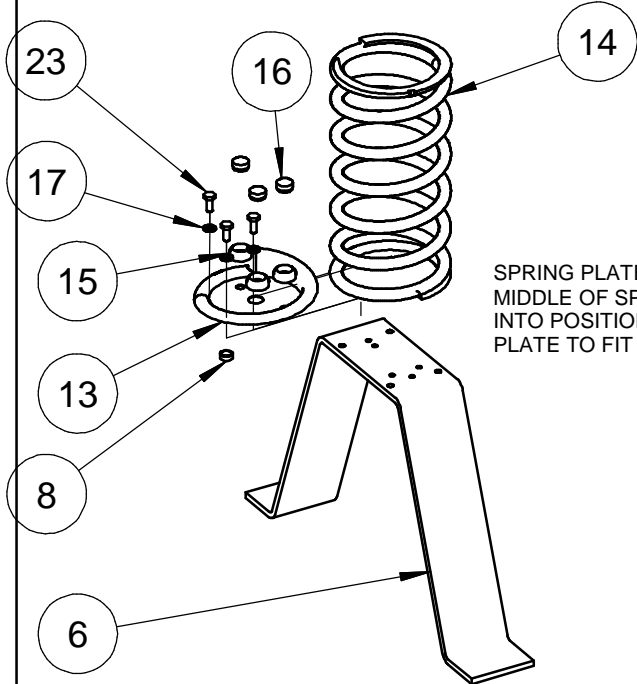
SURFACING & FREE SPACE



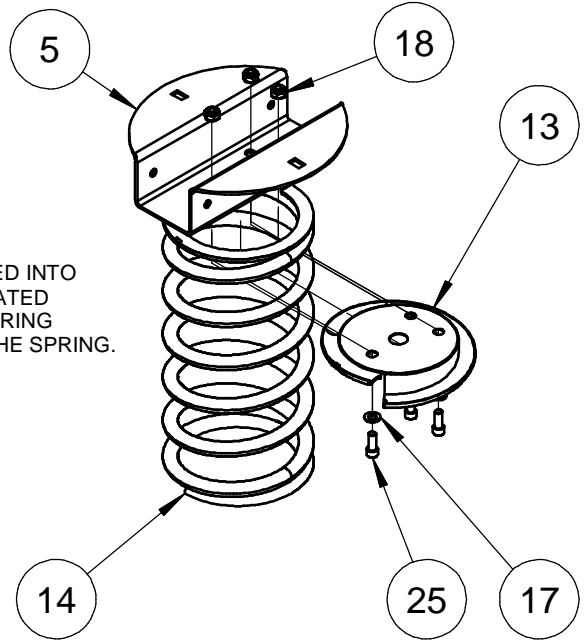
x9 sq. m Continuous Surfacing 30mm thick.
x9 33mm thick tiles.

SPRING TO BELOW GROUND FIXING

MOBILE BODY FIXING BRACKET TO SPRING

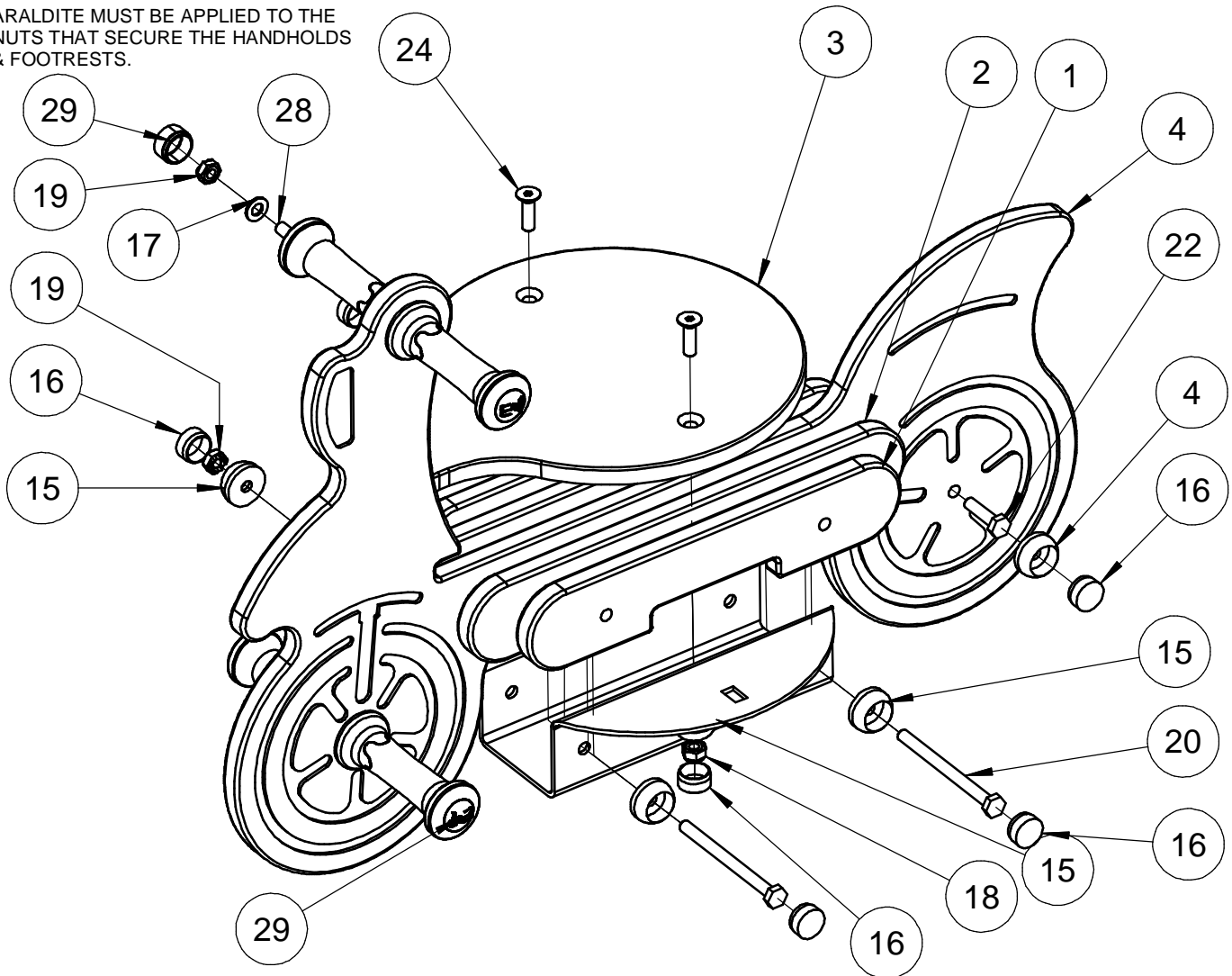


SPRING PLATE SHOULD BE FED INTO MIDDLE OF SPRING AND ROTATED INTO POSITION i.e. TAB ON SPRING PLATE TO FIT IN NOTCH ON THE SPRING.



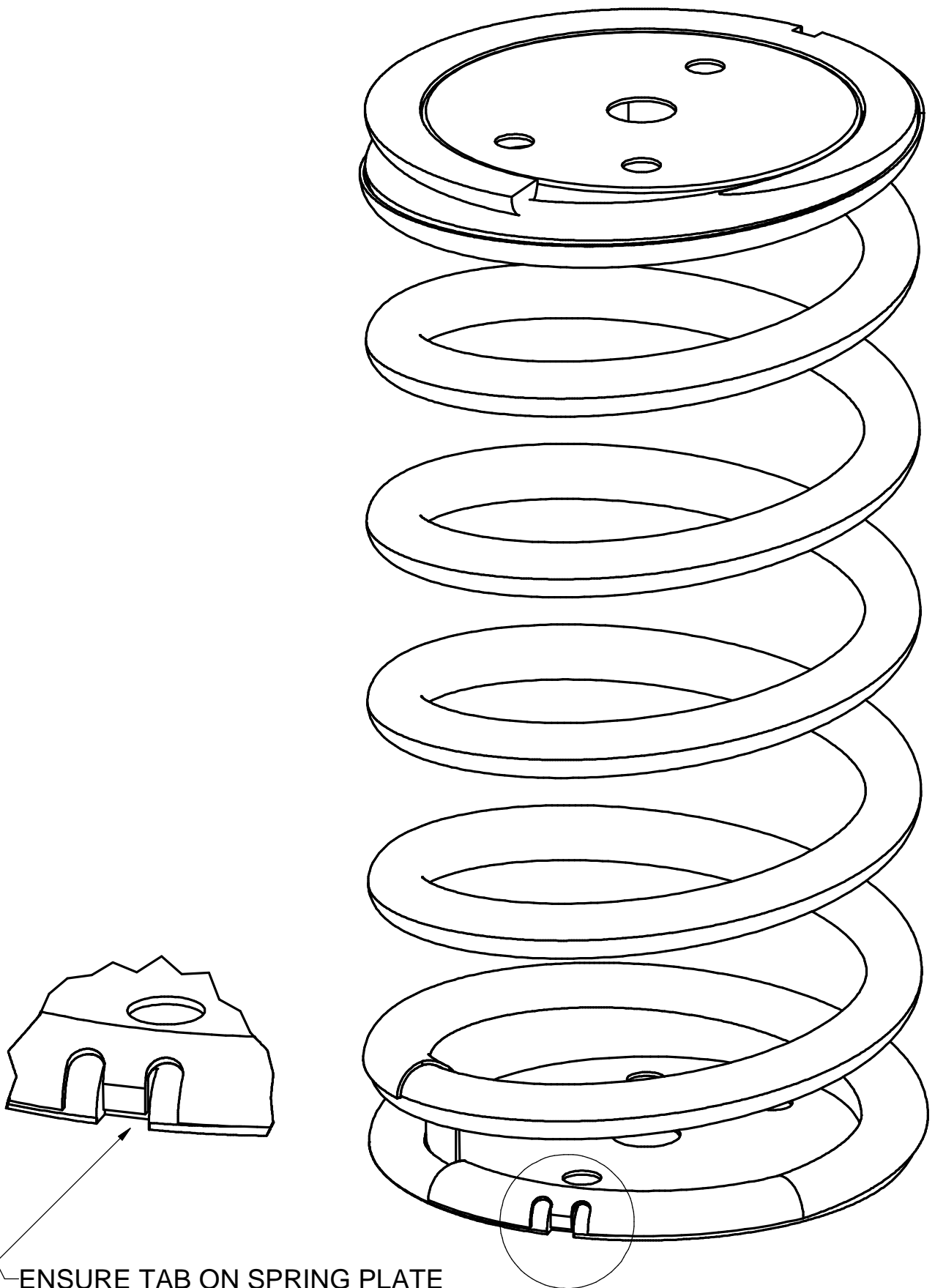
EXPLODED VIEW FOR SPARES & MAINTENANCE

ARALDITE MUST BE APPLIED TO THE NUTS THAT SECURE THE HANDHOLDS & FOOTRESTS.



Parts List			
ITEM	QTY	PART NUMBER	DESCRIPTION
1	2	3755-140	Red Sidefill Panel - Short
2	2	3755-139	Yellow Sidefill Panel - Long
3	1	3755-028	Sit On Mobile Seat
4	1	3755-008	Motorbike Main Body
5	1	3200-391	Sit-On Seat Bracket
6	1	3200-390	Below Ground Fixing
8	1	3000-516	Spring Rocker Spacer
13	2	2900-029	Spring Clamp Plate
14	1	2900-028	Eibach Spring
15	11	2611-031_Cup	Black Poepplemann Cup
16	11	2611-031_Cap	Black Poepplemann Cap
17	10	2215-508	M10 Washer
18	6	2192-006	M10 Nyloc Nut
19	6	2191-010	M10 Binx Nut
20	2	2185-051	M10 x 125 Hex Head Bolt
22	1	2185-036	M10 x 40 Hex Head Bolt
23	3	2185-032	M10 x 25 Hex Head Bolt
24	2	2171-185	M10 x 35 C'sunk Skt Screw c/w Pin
25	3	2171-090	M10 x 25 Skt Hd Cap Screw c/w Pin
28	2	3033-125	M10 x 292 Tie Bar
29	4	3730-107	FIXING CAP
30	4	3730-113	Inner Handle
31	4	3730-114	Outer Handle

COMPILED P kearney	REV	0	1	2	3	4	5	6		
	ECN	1422	1467	1514	Minor	Minor	minor	1589		
DATE: 14/11/02	SIG.	Pk	Pk	SB	TW	SB	AB	TE		
	DATE:	23/04/03	26/03/04	06/07/06	22/11/06	19/11/07	17/02/09	08/06/09		



ENSURE TAB ON SPRING PLATE IS LOCATED & HAMMERED HOME INTO NOTCH OF SPRING (BOTH ENDS OF SPRING)

SPRING PLATE SHOWN IN COPPER COLOUR FOR CLARITY ONLY

DESPATCH LIST

Product: SCRAMBLE BIKE

Date of Issue: 25-11-02

Order No: 6060-054

Issue: C

Item	Unit Qty	Description	Part No.	Checked
1	1	Motorbike Body Assembly *	5114-034	
2	1	Eibach Spring *	2900-028	
3	2	Spring Clamping Plate (1 off *)	2900-029	
4	1	Below Ground Fixing	3200-390	
5	1	Seat Channel *	3200-391	
6	2	Yellow Sidefill Panel - Long *	3755-139	
7	2	Red Sidefill Panel - Short *	3755-140	
8	1	Seat *	3755-028	
9	1	Stores Issue Pack		
		* Fitted to body assembly prior to despatch.		

Total No. of Items

Picked By:

Checked By:

COMPILED	REV	0	1	2	3		
BY:Paul Kearney	ECN No.	1422	1467	1514	1589		
DATE: 25-11-02	DATE	25/11/02	29/03/04	05/09/06	17/06/09		
	SIGN	PK	PK	SB	TE		

FIXINGS LIST

Product: SCRAMBLE BIKE

Date of Issue: 25-11-02

Order No: 6060-054

Issue: D

Item	Unit Qty	Description	Part No.	Checked
		Bottom Spring Plate To Below Ground Fixing		
1	3	M10 x 25 Hex Head Bolt	2185-032	
2	3	M10 Washer	2215-508	
3	1	Spring Rocker Spacer	3000-516	
4	3	Black Popplemann Cup	2611-031	
5	3	Black Popplemann Cap	2611-031	
		Top Spring Plate To Sit-On Seat Bracket		
6	3	M10 x 25 Socket Cap Head Screw c/w Pin *	2171-090	
7	3	M10 Washer *	2215-508	
8	3	M10 Nyloc Nut *	2192-006	
		Seat To Sit-On Seat Bracket		
9	2	M10 x 35 C'sunk Skt Screw c/w Pin *	2171-185	
10	2	M10 Washer *	2215-508	
11	2	M10 Nyloc Nut *	2192-006	
12	2	Black Poppelmann Plastic Cup and Cap *	2611-031	
		Mobile Body Assembly To Sit-On Seat Bracket		
13	2	M10 x 125 Hex head bolt *	2185-051	
14	2	M10 Binx Nut *	2191-010	
15	4	Black Poppelmann Plastic Cup and Cap *	2611-031	
		Misc		
16	1	M10/M12 Pentagon Key	2372-008	
17	1	M10 Allen Key (Drilled)	2372-022	
		* Fitted to body assembly prior to despatch.		

Total No. of Items

Picked By:

Checked By:

COMPILED	REV	0	1	2	3	4	5
BY: Paul Kearney	ECN No.	1422	1467	1514	Minor	minor	minor
DATE: 25-11-02	DATE	25/11/02	29/03/04	16/08/06	21/11/06	03/10/2008	17/02/2009
	SIGN	PK	PK	SB	IW	TE	AB